

HC-51/U Series

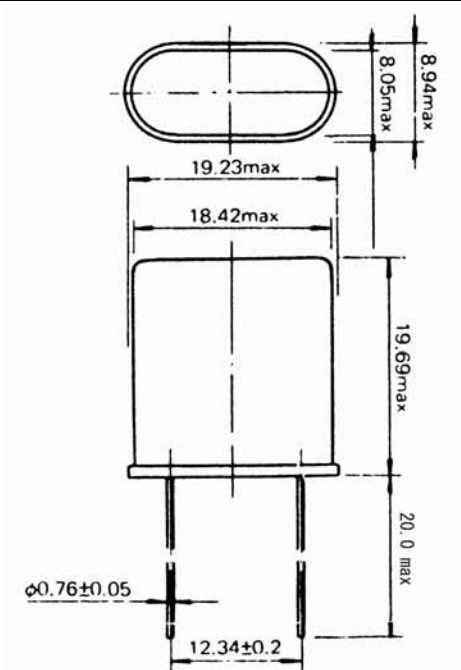
Through Hole Type Crystals

Frequency Range	1.000 ~ 4.200 MHz
Standard Frequency	1.000, 1.8432, 2.000, 2.097152, 2.667, 3.000, 3.200, 3.2768, 3.579545 4.194304 MHz
Oscillation Mode	Fundamental
Frequency Tolerance	±50ppm @+25
Frequency Stability	±50ppm
Operating temperature range	0 ~ +70
Equivalent series resistance	As per Chart below
Load Capacitance	Customer Specified
Drive Level	500 μ W (1m W Max.)

All specifications are subject to change without notice.

Equivalent Series Resistance :

Frequency (MHz)	Equivalent Series Resistance(Ω)	Oscillation Mode
1.000000	750	Fundamental
1.843200	500	Fundamental
2.000000	250	Fundamental
2.097152	250	Fundamental
2.457600	250	Fundamental
2.667000	250	Fundamental
3.000000~4.194304	100	Fundamental



Dimension in mm